



Characteristics



- Energy saving heat pump air curtains: Up to 70% reduction in costs and CO₂ emissions (heating mode).
- Self-supporting casing construction made of galvanized steel plate, ready to be installed recessed in a false ceiling.
- Inlet grille (free of maintenance) made with aluminium profiles and blow-out nozzle, integrated in a single white frame colour RAL 9016. Other colours are available on request.
- Anodized aluminium outlet vanes, airfoil shaped, adjustable in both directions.
- EC Double-inlet centrifugal fans driven by an external rotor motor and low noise level, with very low consumption efficient fans.
- Includes direct expansion coil with sensors. Optional condensate water pump.
- CS-5DX-NE Plug&Play control with 5 speeds and telephone cable 7m included.
- Requires MITSUBISHI ELECTRIC DX Interface KIT adapted for air curtain and programmable control, please consult.
- Ready to connect to MITSUBISHI ELECTRIC Power Inverter outdoor heat pump unit (R32 / R410A) with expansion valve, not included, the customer should purchase it.

Specifications

Model	Airflow m ³ /h	Outdoor Unit (*) 230Vx1	Outdoor Unit (*) 400Vx3	Power Fans 230V-50Hz kW	Current Fans 230V-50Hz A	Noise Level (5 m) dB(A)	Weight kg
RECM 1000 DX8-ME	1640	PUZ-ZM71VHA	-	0,142	1,24	56	63
RECM 1500 DX11-ME	2460	PUZ-ZM100VKA	PUZ-ZM100YKA	0,213	1,86	57	93
RECM 1500 DX13-ME	2460	PUZ-ZM125VKA	PUZ-ZM125YKA	0,213	1,86	57	93
RECM 2000 DX16-ME	3280	PUZ-ZM140VKA	PUZ-ZM140YKA	0,284	2,48	58	122
RECM 2500 DX22-ME	4100	-	PUHZ-ZRP200YKA	0,355	3,10	59	153
RECM 2500 DX24-ME	4100	-	PUHZ-ZRP250YKA	0,355	3,10	59	153
RECG 1000 DX10-ME	2190	PUZ-ZM100VKA	PUZ-ZM100YKA	0,213	1,86	61	67
RECG 1500 DX14-ME	2920	PUZ-ZM125VKA	PUZ-ZM125YKA	0,284	2,48	62	98
RECG 2000 DX22-ME	4380	-	PUHZ-ZRP200YKA	0,426	3,72	63	131
RECG 2000 DX24-ME	4380	-	PUHZ-ZRP250YKA	0,426	3,72	63	131
RECG 2500 DX27-ME	5110	-	PUHZ-ZRP250YKA	0,497	4,34	64	163

(*) Includes direct expansion valve. ZM units with gas R32 and ZRP with gas R410A.
Also compatible with Standard Inverter units PUHZ-P200YKA and PUHZ-P250YKA (R410A) and Zubadan range.

MITSUBISHI Power Inverter (*) Outdoor Units	Heating Capacity kW	Heating Power kW	SCOP or COP	Cooling Capacity kW	Cooling Power kW	SEER or EER	Power Supply	Pipes Gas Liquid inch	Pipes Minimum Length m	Pipes Maximum Length m	Pipes Maximum Height m
ZM (R32) / ZRP (R410A)											
PUZ-ZM71VHA	8,0	1,93	3,90	7,1	1,86	5,80	230Vx1	5/8 3/8	-	50	30
PUZ-ZM100VKA	11,2	2,60	4,10	9,5	2,27	6,20	230Vx1	5/8 3/8	-	100	30
PUZ-ZM100YKA	11,2	2,60	4,10	9,5	2,27	6,10	400Vx3	5/8 3/8	-	100	30
PUZ-ZM125VKA	14,0	3,35	3,90	12,5	3,33	6,00	230Vx1	5/8 3/8	-	100	30
PUZ-ZM125YKA	14,0	3,35	3,90	12,5	3,33	5,90	400Vx3	5/8 3/8	-	100	30
PUZ-ZM140VKA	16,0	3,97	4,00	13,4	3,63	5,90	230Vx1	5/8 3/8	-	100	30
PUZ-ZM140YKA	16,0	3,97	4,00	13,4	3,63	5,80	400Vx3	5/8 3/8	-	100	30
PUHZ-ZRP200YKA	22,4	6,94	3,23	19,0	6,46	2,94	400Vx3	1 3/8	-	100	30
PUHZ-ZRP250YKA	27,0	8,94	3,75	22,0	8,31	2,65	400Vx3	1 1/2	-	100	30

(*) Also compatible with Standard Inverter units PUHZ-P200YKA and PUHZ-P250YKA (R410A) and Zubadan range.
Energy efficiency: SCOP/SEER seasonal ≤12kW, COP/EER >12kW.
Outdoor unit capacities depending on standard conditions: heating 20°CDB indoor / 7°CDB and 6°CWB outdoor, cooling 27°CDB and 19°CWB indoor / 35°CDB outdoor.
When adverse weather conditions, the outdoor unit capacity can decrease. It is recommendable to oversize the units.



Characteristics



- Energy saving heat pump air curtains: Up to 70% reduction in costs and CO₂ emissions (heating mode).
- Self-supporting casing construction made of galvanized steel plate, ready to be installed recessed in a false ceiling.
- Inlet grille (free of maintenance) made with aluminium profiles and blow-out nozzle, integrated in a single white frame colour RAL 9016. Other colours are available on request.
- Anodized aluminium outlet vanes, airfoil shaped, adjustable in both directions.
- EC Double-inlet centrifugal fans driven by an external rotor motor and low noise level, with very low consumption efficient fans.
- Includes direct expansion coil with sensors. Optional condensate water pump.
- CS-5DX-NE Plug&Play control with 5 speeds and telephone cable 7m included.
- Requires MITSUBISHI ELECTRIC VRF Interface KIT adapted for air curtain with expansion valve and programmable control, please consult.
- Ready to connect to MITSUBISHI ELECTRIC VRF outdoor heat pump unit (R410A), not included, the customer should purchase it.

Specifications

Model	Airflow m ³ /h	Power Fans 230V-50Hz kW	Current Fans 230V-50Hz A	Noise Level (5 m) dB(A)	Weight kg	Mitsubishi Electric Kit Interface VRF (*)
RECM 1500 VRF12-ME	2460	0,213	1,86	57	93	PAC-AH125M-J
RECM 2000 VRF16-ME	3280	0,284	2,48	58	122	PAC-AH125M-J
RECM 2000 VRF19-ME	3280	0,284	2,48	58	122	PAC-AH250M-J
RECM 2500 VRF21-ME	4100	0,355	3,10	59	153	PAC-AH250M-J
RECM 2500 VRF24-ME	4100	0,355	3,10	59	153	PAC-AH250M-J
RECG 1000 VRF10-ME	2190	0,213	1,86	61	67	PAC-AH125M-J
RECG 1500 VRF13-ME	2920	0,284	2,48	62	98	PAC-AH125M-J
RECG 1500 VRF15-ME	2920	0,284	2,48	62	98	PAC-AH125M-J
RECG 2000 VRF20-ME	4380	0,426	3,72	63	131	PAC-AH250M-J
RECG 2000 VRF24-ME	4380	0,426	3,72	63	131	PAC-AH250M-J
RECG 2500 VRF25-ME	5110	0,497	4,34	64	163	PAC-AH250M-J
RECG 2500 VRF29-ME	5110	0,497	4,34	64	163	PAC-AH250M-J

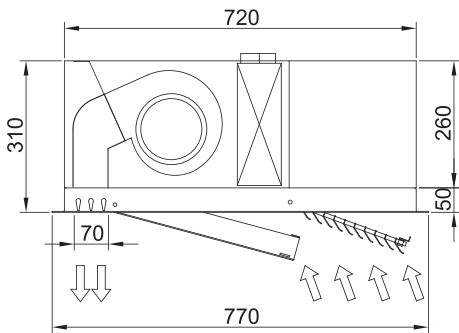
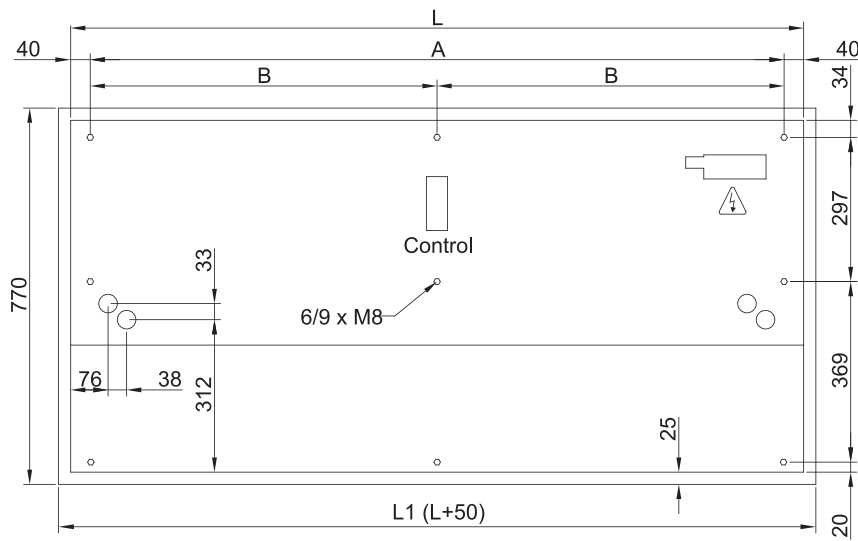
(*) Includes direct expansion valve.

MITSUBISHI ELECTRIC VRF compatible Outdoor Units	
Range	Series
City Multi	Y (Heat Pump)
City Multi	R2 (Heat Recovery)

When adverse weather conditions, the outdoor unit capacity can decrease. It is recommendable to oversize the units.



Dimensions



	L	L1	A	B
RWIN 1000	1000	1050	920	-
RWIN 1500	1500	1550	1420	710
RWIN 2000	2000	2050	1920	960
RWIN 2500	2500	2550	2420	1210

Finishes and details

Designed to be integrated in a false ceiling or in a bulkhead at the entrance of a local



Customizable inlet grille in RAL color optionally