



Technical Features



RAL 9016
standard



Stainless
steel



Other colors
on request



Range
Up to 4,2 m



Airflow
2190 - 5110 m³/h



Fans
EC Double Inlet
Centrifugal



Heating type
Heat pump
with sensors



Heating capacity
10,8 - 27 kW



Casing
Galvanised Steel
Self-Supporting



Grille type
Rectangular perforated
40x4



Outlet vanes
Airfoil type
Adjustable



Control
Slave DX
(Optional Control Clever)

Decorative, minimalist and elegant, ZEN air curtain is the favourite of architects and designers to include in their building projects. Its smart design and high performance is perfect to blend with any building's internal or external aesthetics, being also an active part of decoration or premises environment. ZEN air curtain offers infinite possibilities of customization. Its energy saving heat pump compatible version achieves a reduction of up to 70% in consumption and CO2 emissions (in heating mode).

Ready to connect to LG Inverter heat pump (R32/R410A) with direct expansion valve, not included, to be purchased by the customer. Includes Interface Kit DX PAHCMRA000 adapted by curtain and programmable control LG PREMTB001.

Air curtain specifications

Model	Airflow m ³ /h	Fans Power 230V-50/60Hz kW	Fans Current 230V-50/60Hz A	Outdoor unit 230Vx1	Outdoor unit 400Vx3	Gas-Liquid pipe connections inch	Noise Level (5 m) dB(A)	Weight kg
ZEN ECG 1000 DX10-LG	2190	0,213	1,86	UUD1 U30	UUD3 U30	5/8" - 3/8"	61	40
ZEN ECG 1500 DX15-LG	2920	0,284	2,48	UUD1 U30	UUD3 U30	5/8" - 3/8"	62	57
ZEN ECG 2000 DX20-LG	4380	0,426	3,72	-	UU70W U34	1" - 3/8"	63	78
ZEN ECG 2000 DX22-LG	4380	0,426	3,72	-	UU70W U34	1" - 3/8"	63	78
ZEN ECG 2500 DX22-LG	5110	0,497	4,34	-	UU70W U34	1" - 3/8"	64	95
ZEN ECG 2500 DX27-LG	5110	0,497	4,34	-	UU85W U74	7/8" - 1/2"	64	95

Outdoor unit specifications

LG inverter model Outdoor Unit	Heating capacity kW	COP or SCOP	Cooling capacity kW	EER or SEER	Voltage	Gas-liquid pipes inch	Minimum pipe length m	Maximum pipe length m	Maximum pipe height m
UUD1 U30 (36)	10,8	4,5	9,5	7,6	230Vx1	5/8" - 3/8"	5	85	30
UUD1 U30 (42)	13,5	4,5	12,1	7,4	230Vx1	5/8" - 3/8"	5	85	30
UUD1 U30 (48)	15,5	4,5	13,4	6,8	230Vx1	5/8" - 3/8"	5	85	30
UUD1 U30 (60)	17,5	4,5	15	6,6	230Vx1	5/8" - 3/8"	5	85	30
UUD3 U30 (36)	10,8	4,5	9,5	7,6	400Vx3	5/8" - 3/8"	5	85	30
UUD3 U30 (42)	13,5	4,5	12,1	7,4	400Vx3	5/8" - 3/8"	5	85	30
UUD3 U30 (48)	15,5	4,5	13,4	6,8	400Vx3	5/8" - 3/8"	5	85	30
UUD3 U30 (60)	17,5	4,5	15	6,6	400Vx3	5/8" - 3/8"	5	85	30
UU70W U34	22,4	3,5	19	2,84	400Vx3	1" - 3/8"	5	75	30
UU85W U74	27	3,25	23	2,81	400Vx3	7/8" - 1/2"	5	75	30



Technical Features



RAL 9016
standard



Stainless
steel



Other colors
on request



Range
Up to 4,2 m



Airflow
2190 - 5110 m³/h



Fans
EC Double Inlet
Centrifugal



Heating type
Heat pump
with sensors



Heating capacity
10 - 29 kW



Casing
Galvanised Steel
Self-Supporting



Grille type
Rectangular perforated
40x4



Outlet vanes
Airfoil type
Adjustable



Control
Slave DX
(Optional Control Clever)

Decorative, minimalist and elegant, ZEN air curtain is the favourite of architects and designers to include in their building projects. Its smart design and high performance is perfect to blend with any building's internal or external aesthetics, being also an active part of decoration or premises environment. ZEN air curtain offers infinite possibilities of customization. Its energy saving heat pump compatible version achieves a reduction of up to 70% in consumption and CO2 emissions (in heating mode).

Ready to connect to LG VRF outdoor heat pump unit (R32/R410A) and expansion valve not included, the customer should purchase it. Requires LG VRF Interface KIT adapted for air curtain and programmable control, please consult.

Air curtain specifications

Model	Airflow m ³ /h	Fans Power	Fans Current	Expansion Valve	Gas-Liquid pipe connections inch	Noise Level (5 m) dB(A)	Weight kg
		230V-50/60Hz kW	230V-50/60Hz A				
ZEN ECG 1000 VRF10-LG	2190	0,213	1,86	PRLK048A0	5/8" – 3/8"	61	47
ZEN ECG 1500 VRF15-LG	2920	0,284	2,48	PRLK048A0	5/8" – 3/8"	62	57
ZEN ECG 2000 VRF20-LG	4380	0,426	3,72	PRLK048A0	1" – 3/8"	63	78
ZEN ECG 2000 VRF24-LG	4380	0,426	3,72	PRLK048A0	1" – 3/8"	63	78
ZEN ECG 2500 VRF25-LG	5110	0,497	4,34	PRLK048A0	1" – 3/8"	64	95
ZEN ECG 2500 VRF29-LG	5110	0,497	4,34	PRLK048A0	7/8" – 1/2"	64	95

The VRF-compatible models are as follows:

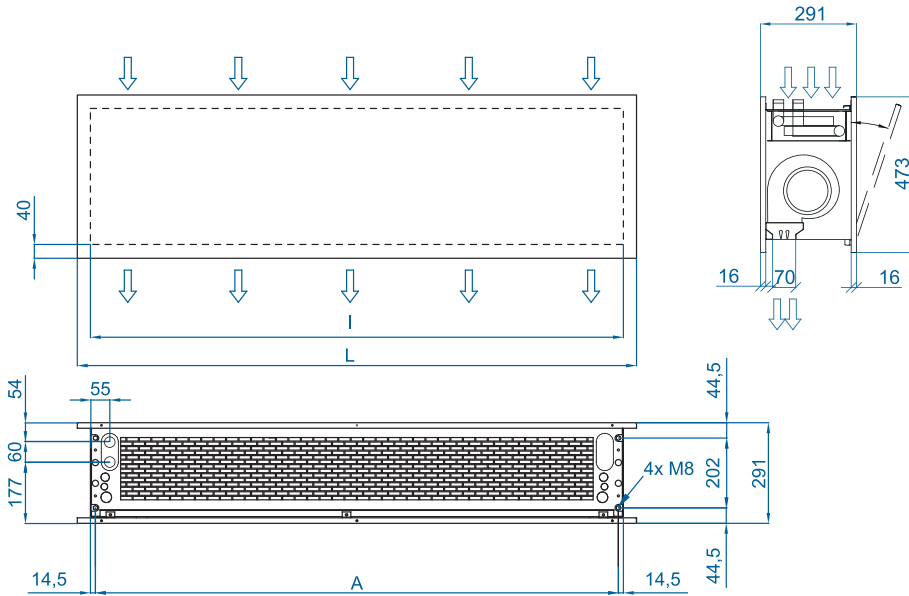
- Multi V S
- Multi V 5
- Multi V IV



Selection program



Dimensions



Model	E	I	A
1000	1220	1140	1115
1500	1620	1544	1515
2000	2120	2044	2015
2500	2620	2544	2515

CAD drawings, BIM files, installation manuals and other documentation



Finishings



Vertical installation





Accessories

Supports



Wall rail support
SPWR



Silentblock supports
SPANG-SIL / SLB



Gripple hanger
SPCT



Angle support
SPWA



Arm support
SPARM



Omega support
SPT4



Slave DX
(Included)



Interface kit
IN-NE-II



Clever Control Kit

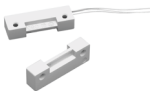


RJ45 Cable



External Temperature
Sensor (Clever, TD-NE)

Sensors



Magnetic door contact
DC



Mechanical door contact
DC