


Characteristics


- Decorative air curtain in contemporary architectural style. Its minimalist and smart design integrates in any environment and we offer the option to customise, meeting our clients need.
- Central structure made of zinc plated steel finished in RAL 9913 black forge as standard. Other colours available on request.
- Front panels are anodized aluminium or zinc plated steel finished in RAL 9913 as standard. Options for stainless steel and gloss, matt or brushed paint finishes. Other materials are possible as wood, metal stressed finish etc... We can include personalised logos, signs, graphic designs, etc...
- Double inlet centrifugal fans with external rotor motors, with built-in thermal protection contact, provided by five speed selection. Very low noise level.
- "P" type includes water heated coil (80/60°C or 60/40°C). "E" types includes electrical element with three power stages. "A" type is unheated, air only.
- Anodised aluminium double blow-out vanes, airfoil shaped. Both sides adjustable discharge pitch angle.
- Control panel and 20m cable with fast connectors type RJ45 (Plug & Play), included. Optional: interface to connect to BMS, PLC, DDC...

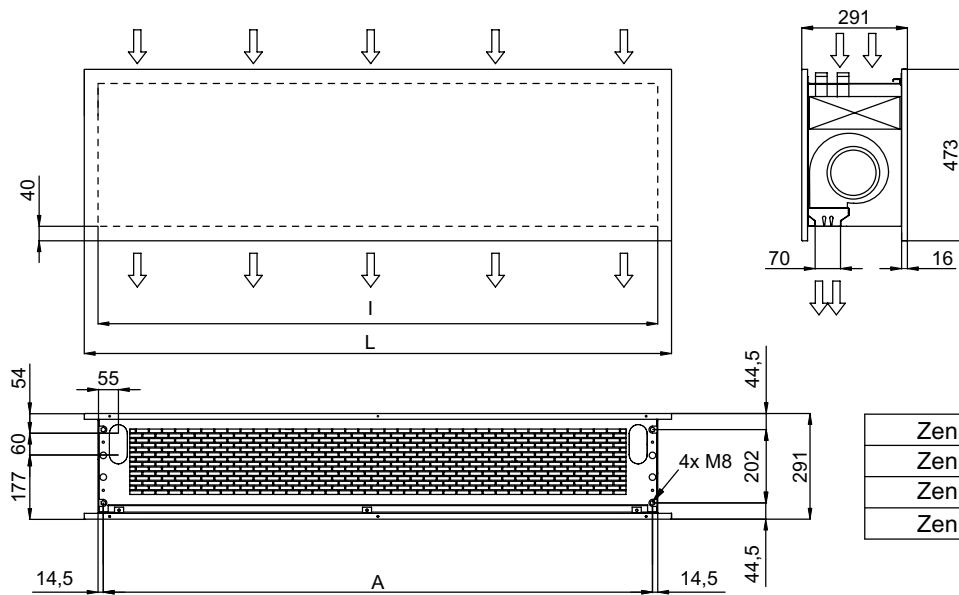
Specifications

Model	Airflow m ³ /h	Water Heating Capacity 80/60°C kW	Water Drop Pressure 80/60°C Pa	Water Connections 80/60°C	Water Heating Capacity 60/40°C kW	Water Drop Pressure 60/40°C Pa	Water Connections 60/40°C	Electrical Heating Capacity 3x400V-50Hz kW	Fans Power Input 230V-50Hz kW	Fans Current 230V-50Hz A	Noise Level (5 m) dB(A)	Weight kg
ZEN M 1000 P	1875	10,52	890	2x3/4"	9,04	4450	2x3/4"	-	0,591	2,58	54	37
ZEN M 1000 E	1950	-	-	-	-	-	-	3/6/9	0,591	2,58	54	40
ZEN M 1000 A	1950	-	-	-	-	-	-	-	0,591	2,58	54	32
ZEN M 1500 P	2500	16,14	700	2x3/4"	13,28	6390	2x3/4"	-	0,788	3,44	55	53
ZEN M 1500 E	2600	-	-	-	-	-	-	4/8/12	0,788	3,44	55	58
ZEN M 1500 A	2600	-	-	-	-	-	-	-	0,788	3,44	55	46
ZEN M 2000 P	3750	24,22	2020	2x3/4"	19,11	5140	2x3/4"	-	1,182	5,16	56	71
ZEN M 2000 E	3900	-	-	-	-	-	-	6/12/18	1,182	5,16	56	77
ZEN M 2000 A	3900	-	-	-	-	-	-	-	1,182	5,16	56	62
ZEN M 2500 P	4375	28,66	3750	2x3/4"	22,80	3930	2x3/4"	-	1,379	6,02	57	86
ZEN M 2500 E	4550	-	-	-	-	-	-	6/12/18	1,379	6,02	57	94
ZEN M 2500 A	4550	-	-	-	-	-	-	-	1,379	6,02	57	75
ZEN G 1000 P	2700	13,10	1300	2x3/4"	11,31	6850	2x3/4"	-	0,765	3,33	55	40
ZEN G 1000 E	2775	-	-	-	-	-	-	5/10/15	0,765	3,33	55	43
ZEN G 1000 A	2775	-	-	-	-	-	-	-	0,765	3,33	55	36
ZEN G 1500 P	3600	20,30	1050	2x3/4"	16,72	9410	2x3/4"	-	1,020	4,44	56	57
ZEN G 1500 E	3700	-	-	-	-	-	-	7,5/15/22,5	1,020	4,44	56	62
ZEN G 1500 A	3700	-	-	-	-	-	-	-	1,020	4,44	56	50
ZEN G 2000 P	5400	30,40	3320	2x3/4"	24,18	7860	2x3/4"	-	1,530	6,66	57	78
ZEN G 2000 E	5550	-	-	-	-	-	-	10/20/30	1,530	6,66	57	85
ZEN G 2000 A	5550	-	-	-	-	-	-	-	1,530	6,66	57	69
ZEN G 2500 P	6300	36,03	5700	2x3/4"	28,94	6020	2x3/4"	-	1,785	7,77	58	95
ZEN G 2500 E	6475	-	-	-	-	-	-	10,7/21,3/32	1,785	7,77	58	103
ZEN G 2500 A	6475	-	-	-	-	-	-	-	1,785	7,77	58	83





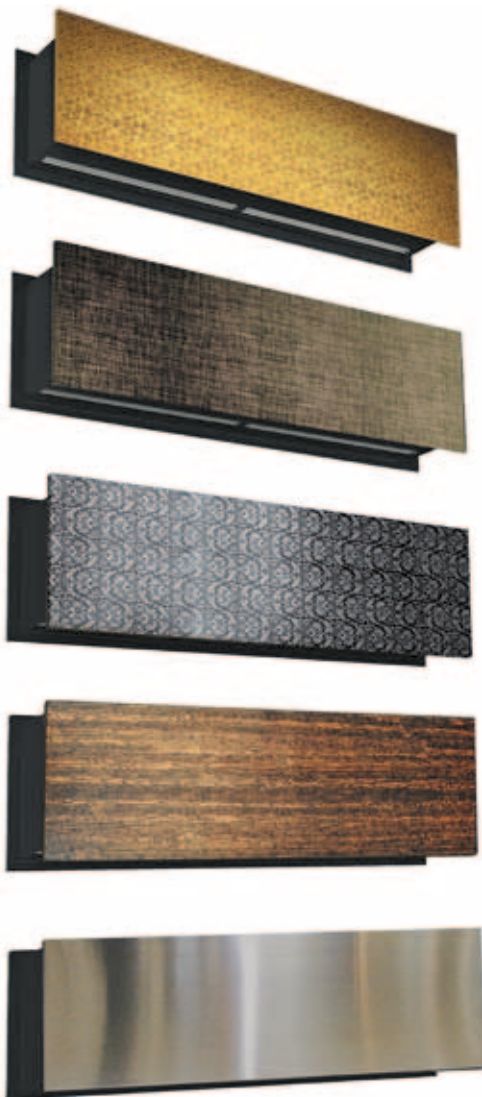
Dimensions



	L	I	A
Zen 1000	1220	1140	1115
Zen 1500	1620	1544	1515
Zen 2000	2120	2044	2015
Zen 2500	2620	2544	2515

Custom Finishes

- Painted any RAL colour or metallic
- Different materials: aluminium, stainless steel AISI 304 (brushed or polished), wood, glass, PVC/PES, etc...
- Logos, lights, clocks, signs, vinyls, patterns, etc...



Examples of customized front panels, to meet client needs

